

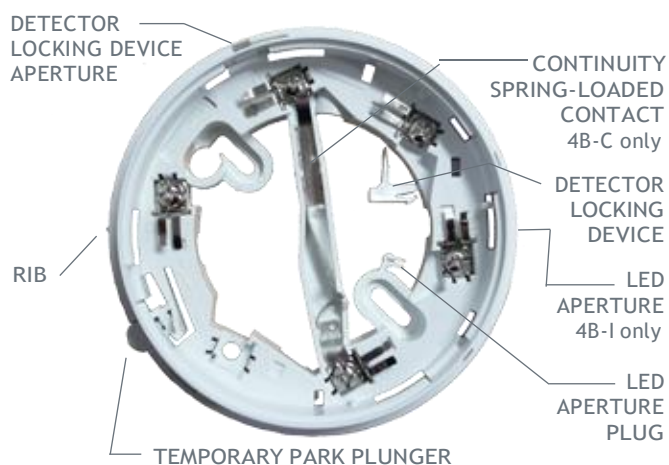
850 Series

Generation 6 MX Detector Bases



Features

- // Continuity, Isolator and Universal variants
- // Quick and easy to install
- // Compatible with 800, 814, and 850 Series detectors
- // Park position for testing
- // Optional detector locking device
- // Slim 4-inch profile
- // Snap-fit to Ceiling Tile Adaptor



Specifications

Supply Voltage	20 to 40Vdc MX Loop
Supply Current	80µA typ. (quiescent 4B-I)
Tripped Current	3.5mA (max. 4B-I)
Dimensions (H x Dia)	25 x 109 mm
Weight	64g
Material	Flame Retardant ABS
Colour	White (optional Pantone colours for detector covers & 4B-C bases)
Ambient Temperature	-25°C to +70°C
Storage Temperature	-40°C to +80°C
Relative Humidity	10% to 95% (non cond.)

Indoor Applications Only

Part Numbers

517.050.041	4B Universal Base
517.050.042	4B-C Continuity Base
517.050.043	4B-I Isolator Base
517.050.051	4B Deckhead Mount
517.050.052	Euro Mount Adaptor
517.050.056	4B-6A 4" to 6" Adaptor

Fixing

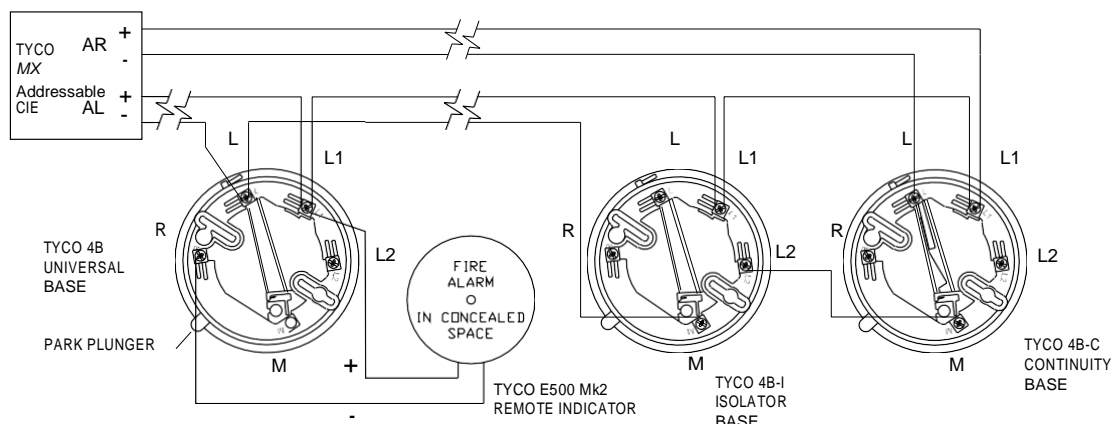
The 4B detector bases are designed to snap-fit to the Ceiling Tile Adaptor. Alternatively they can be screw fixed to a ceiling, electrical box, or deckhead mount in the traditional manner. A park position allows the

4-Inch Base Options

The **4B-C Continuity base** is used for most installations involving 850 Series detectors, as it allows the detector's in-built short circuit isolation function to be in-circuit when the detector is fitted and ensures continuity is maintained when the detector is removed. The **4B-I Short Circuit Isolator base** is used to protect circuits that use devices that do not have built-in short-circuit isolation. The **4B Universal base** is used when neither short circuit isolator nor continuity functionality is required. All 4-inch bases are compatible with the Ceiling Tile Adaptor that can potentially decrease installation time by up to 30%.

detector to be mechanically attached to the base without making electrical connection to facilitate the testing of electronic-free bases. The base should be fixed such that the park plunger faces toward the door or trafficable area. This ensures

the detector LED will be visible from the direction of entry, in accordance with AS1670.1-2004. With a detector mounted in the base, a raised rib on both the base and detector align when the detector is in the fully home position.



Typical Base Wiring for MX Addressable systems

The MX CIE can be programmed to illuminate a Remote Indicator for detectors in alarm other than the detector base to which the Indicator is connected.

Wiring

Cables should be arranged at each side of the terminal screw. A maximum of two 1.5mm² cables or one 2.5mm² cable can be fitted to one terminal. Any additional cables (such as Remote Indicator) should be fitted with suitable fork or eyelet crimp terminal lugs. The installation should comply with AS 1670.1 or NZS 4512.

4B Loop Cabling	4B-I Loop Cabling	4B-C Loop Cabling
L (-In/Out) L1 (+In/Out). A remote indicator may be connected between loop positive L1 (+In/Out) and terminal R (-ve). Terminal L2 must not be used.	L2 (-In) M (-Out) L1 (+In/Out). A remote indicator may be connected between loop positive L1 (+In/Out) and terminal R (-ve). Terminal L must not be used.	L (-In) M (-Out) L1 (+In/Out). A remote indicator may be connected between loop positive L1 (+In/Out) and terminal R (-ve). Terminal L2 must not be used.

Detector Lock

The detector locking device is part of the base moulding. If required, it is detached and inserted into the locking aperture. A detector mounted in the base will now be locked in position. The detector can then be removed only after inserting an unlocking tool into the hole on the detector cover to depress the spring tab on the locking device. A 3mm rod could be a suitable unlocking tool; one can be fabricated by grinding a screwdriver with a 3mm diameter shaft to a length of 22mm.



Locking Device

LED Aperture Plug

Bases with an isolating function have an LED fitted. Bases without an isolator have an empty aperture, which may be filled using a plug detached from the base moulding.

Maintenance And Service

The Tyco MX addressable system should be maintained in accordance with the relevant parts of AS 1851 or NZS 4512. The Tyco X300 Smoke Tester, X461 Heat Tester and CO test gas (part no. 517.001.262) may be used for testing the detector in-situ. Rotating the detector anticlockwise past an indent to the park position disconnects the detector from the circuit whilst still retaining it in the base, allowing loop testing etc. Depressing the plunger at the side of the base allows the detector to be rotated back into its operating position.

Copyright © 2015 Tyco Australia Pty Limited. All rights reserved. Tyco reserves the right to make changes to any aspect of this publication at any time without notice. VIGILANT is a trademark of Tyco New Zealand Limited or its affiliates; TYCO is a trademark of Tyco International Services GmbH. 4INBdatTFPP1506